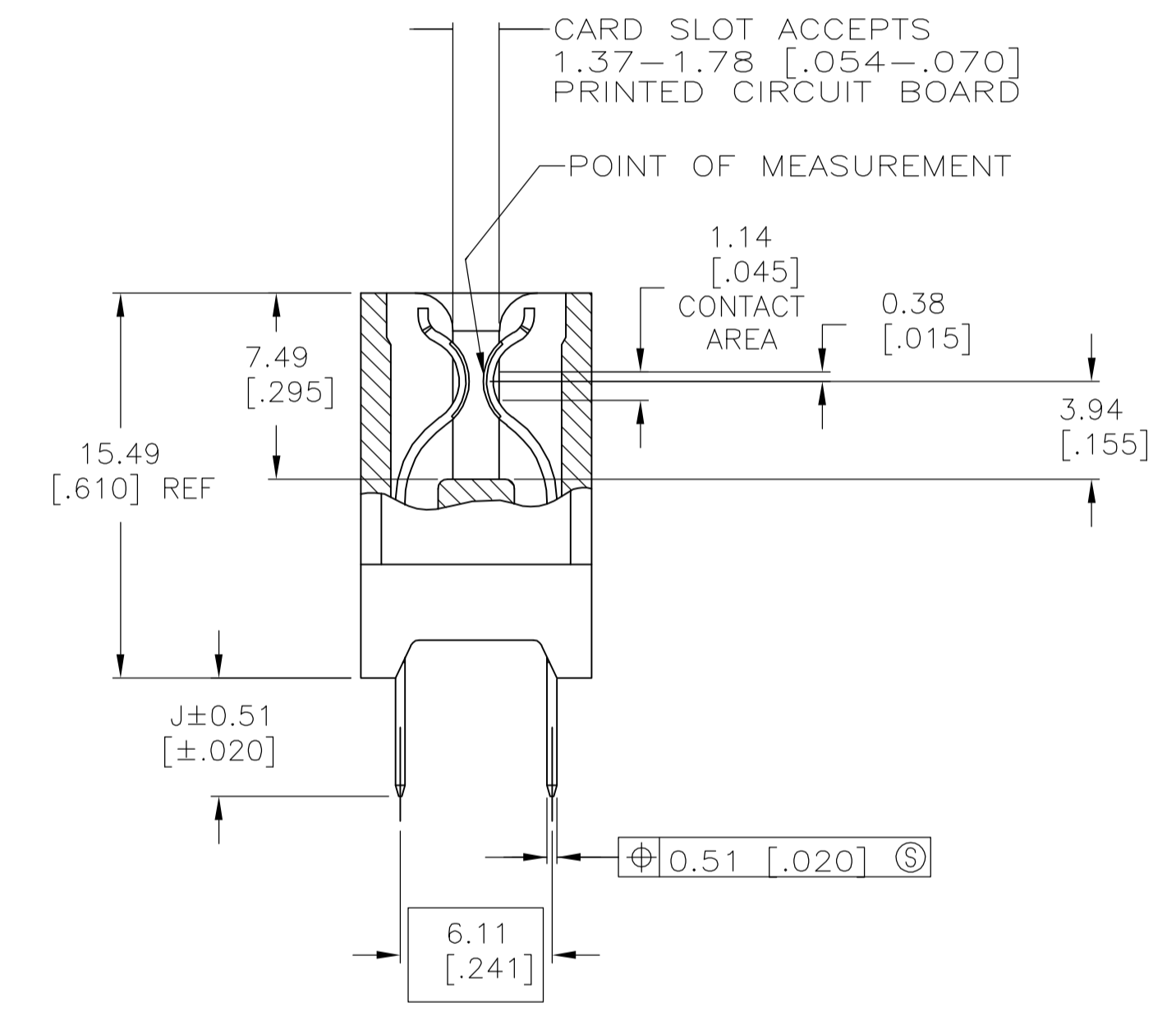


- ① HOUSING: GLASS FILLED POLYESTER; COLOR: BLACK.
- ② CONTACT: PHOSPHOR BRONZE.
- ③ NICKEL UNDERPLATE: 0.00127 [.000050] MIN - ALL OVER.
- ④ TIN-LEAD PLATE: 0.00254 [.000100] MIN - SOLDER POSTS.
- ⑤ GOLD PLATE: 0.00076 [.000030] MIN - CONTACT AREA.
- ⑥ NICKEL PLATE PER MIL-G-45204. GOLD PLATE PER QQ-N-290.
- ⑦ AMP PART NUMBER AND DATE CODE ARE MARKED IN APPROXIMATE AREA SHOWN, EITHER SIDE.
- ⑧ RECOMMENDED PCB FINISHED HOLE DIA: 1.02 ± 0.08 [$.040 \pm .003$].
- ⑨ MATTE TIN PLATE: 0.00254 [.000100] MIN - SOLDER POSTS.



THIS DRAWING IS A CONTROLLED DOCUMENT.		DIN R SHIREY/UTA 11/4/91		Tyco Electronics Corporation Harrisburg, PA 17105-3608
DIMENSIONS: mm [INCHES]		CHK J. DIORAZIO 8-10-92		APVD
TOLERANCES UNLESS OTHERWISE SPECIFIED:		PRODUCT SPEC		CONNECTOR ASSEMBLY, STANDARD EDGE II, 3.18 [.125] CL
0 PLC ± -		APPLICATION SPEC		
1 PLC ± -		SIZE		RESTRICTED TO
2 PLC ± 0.13 [.005]		CAGE CODE		
3 PLC ± -		DRAWING NO		SCALE 4:1 SHEET 1 OF 2 REV P1
4 PLC ± -		WEIGHT		
ANGLES ± -		A1 00779 C=531341		CUSTOMER DRAWING
FINISH		SCALE		

	J	F	E	D	C	B	A	X	NO OF POSN	PART NUMBER
△9	4.75	102.74	109.35	85.72	92.08	92.08	96.14	27	28	8-531341-0
	[.187]	[4.045]	[4.305]	[3.375]	[3.625]	[3.625]	[3.785]			
△9	3.18	32.89	39.50	15.88	22.22	22.22	26.29	5	6	6-531341-3
	[.125]	[1.295]	[1.555]	[.625]	[.875]	[.875]	[1.035]			
OBSOLETE	-	-	-	-	-	-	-	-	44	5-531341-5
OBSOLETE	-	-	-	-	-	-	-	-	44	5-531341-4
OBSOLETE	-	-	-	-	-	-	-	-	60	5-531341-3
OBSOLETE	-	-	-	-	-	-	-	-	60	5-531341-2
OBSOLETE	-	-	-	-	-	-	-	-	60	5-531341-1
OBSOLETE	-	-	-	-	-	-	-	-	60	5-531341-0
OBSOLETE	-	-	-	-	-	-	-	-	31	4-531341-9
OBSOLETE	4.75	172.59	179.20	155.57	161.92	161.92	165.99	49	50	4-531341-8
	[.187]	[6.795]	[7.055]	[6.125]	[6.375]	[6.375]	[6.535]			
OBSOLETE	-	-	-	-	-	-	-	-	43	4-531341-7
OBSOLETE	-	-	-	-	-	-	-	-	40	4-531341-6
OBSOLETE	-	-	-	-	-	-	-	-	36	4-531341-5
OBSOLETE	-	-	-	-	-	-	-	-	35	4-531341-4
OBSOLETE	4.75	109.09	115.95	92.08	98.42	98.42	102.49	29	30	4-531341-3
	[.187]	[4.295]	[4.565]	[3.625]	[3.875]	[3.875]	[4.035]			
OBSOLETE	-	-	-	-	-	-	-	-	28	4-531341-2
OBSOLETE	-	-	-	-	-	-	-	-	22	4-531341-1

OBSOLETE	-	-	-	-	-	-	-	-	22	4-531341-0
OBSOLETE	-	-	-	-	-	-	-	-	15	3-531341-9
OBSOLETE	-	-	-	-	-	-	-	-	10	3-531341-8
OBSOLETE	-	-	-	-	-	-	-	-	6	3-531341-7
OBSOLETE	-	-	-	-	-	-	-	-	50	3-531341-6
OBSOLETE	-	-	-	-	-	-	-	-	43	3-531341-5
OBSOLETE	-	-	-	-	-	-	-	-	40	3-531341-4
OBSOLETE	-	-	-	-	-	-	-	-	36	3-531341-3
OBSOLETE	-	-	-	-	-	-	-	-	35	3-531341-2
OBSOLETE	-	-	-	-	-	-	-	-	30	3-531341-1
△4	4.75	102.74	109.35	85.72	92.08	92.08	96.14	27	28	3-531341-0
	[.187]	[4.045]	[4.305]	[3.375]	[3.625]	[3.625]	[3.785]			
OBSOLETE	-	-	-	-	-	-	-	-	22	2-531341-9
OBSOLETE	-	-	-	-	-	-	-	-	18	2-531341-8
OBSOLETE	-	-	-	-	-	-	-	-	15	2-531341-7
OBSOLETE	-	-	-	-	-	-	-	-	10	2-531341-6
OBSOLETE	-	-	-	-	-	-	-	-	6	2-531341-5
OBSOLETE	3.18	172.59	179.20	155.58	161.92	161.92	165.99	49	50	2-531341-4
	[.125]	[6.795]	[7.055]	[6.125]	[6.375]	[6.375]	[6.535]			
OBSOLETE	-	-	-	-	-	-	-	-	43	2-531341-3
OBSOLETE	-	-	-	-	-	-	-	-	40	2-531341-2
OBSOLETE	-	-	-	-	-	-	-	-	36	2-531341-1
OBSOLETE	-	-	-	-	-	-	-	-	35	2-531341-0
OBSOLETE	-	-	-	-	-	-	-	-	30	1-531341-9
OBSOLETE	-	-	-	-	-	-	-	-	28	1-531341-8
OBSOLETE	-	-	-	-	-	-	-	-	22	1-531341-7
OBSOLETE	-	-	-	-	-	-	-	-	18	1-531341-6
OBSOLETE	-	-	-	-	-	-	-	-	15	1-531341-5
OBSOLETE	-	-	-	-	-	-	-	-	10	1-531341-4
△4	3.18	32.89	39.50	15.88	22.22	22.22	26.29	5	6	1-531341-3
	[.125]	[1.295]	[1.555]	[.625]	[.875]	[.875]	[1.035]			
OBSOLETE	-	-	-	-	-	-	-	-	50	1-531341-2
OBSOLETE	-	-	-	-	-	-	-	-	43	1-531341-1
OBSOLETE	-	-	-	-	-	-	-	-	40	1-531341-0
OBSOLETE	-	-	-	-	-	-	-	-	36	531341-9
OBSOLETE	-	-	-	-	-	-	-	-	35	531341-8
OBSOLETE	3.18	109.09	115.95	92.08	98.42	98.42	102.49	29	30	531341-7
	[.125]	[4.295]	[4.565]	[3.625]	[3.875]	[3.875]	[4.035]			
OBSOLETE	-	-	-	-	-	-	-	-	28	531341-6
OBSOLETE	-	-	-	-	-	-	-	-	22	531341-5
OBSOLETE	-	-	-	-	-	-	-	-	18	531341-4
OBSOLETE	-	-	-	-	-	-	-	-	15	531341-3
OBSOLETE	-	-	-	-	-	-	-	-	10	531341-2
OBSOLETE	-	-	-	-	-	-	-	-	6	531341-1

THIS DRAWING IS A CONTROLLED DOCUMENT. DWG R. SHIREY/UTA 11/4/91
 CHK J. DIORAZIO 8-10-92
 APVD

tyco Tyco Electronics Corporation
 Harrisburg, PA 17105-3608

DIMENSIONS: mm [INCHES] TOLERANCES UNLESS OTHERWISE SPECIFIED:
 0 PLC ± -
 1 PLC ± -
 2 PLC ± 0.13 [.005]
 3 PLC ± -
 4 PLC ± -
 ANGLES ± -
 FINISH

PRODUCT SPEC 108-9039
 APPLICATION SPEC

SIZE A1 CAGE CODE 00779 DRAWING NO. 531341
 WEIGHT - RESTRICTED TO -

MATERIAL HOUSING: 1 CONTACT: CUSTOMER DRAWING SCALE 4:1 SHEET 2 OF 2 REV P1